



Technical Data

IS4P Enclosed Rotary Isolators

IP65 CE



- 4 Pole Range available from 20A to 150A
- IP65 Protection Rating (enclosure)
- EN 60947-3 Compliant
- 3 Sizes of Enclosure
- Multiple Gland Knockouts
- Lockable Rotary Handle
- Flame Retardant
- External Mounting Points
- Additional Earth Connection
- Interlocked Enclosure Lid

ORDERING INFORMATION

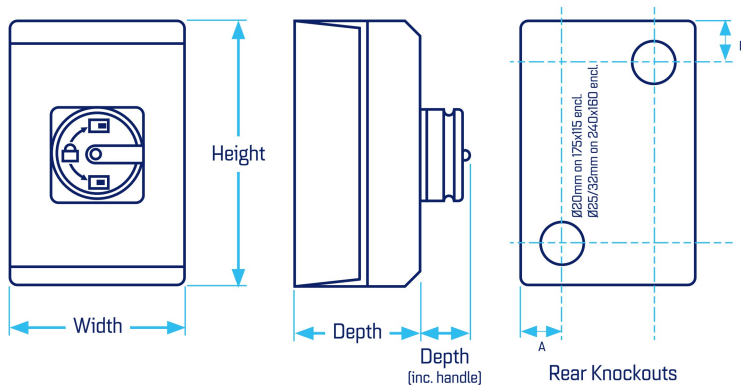
Part Number	Current I _b [AC21]	Rated Operating Voltage	Poles
IS4P20	20A	230 - 440V	4
IS4P20L	20A	230 - 440V	4
IS4P32	32A	230 - 440V	4
IS4P32L	32A	230 - 440V	4
IS4P40	40A	230 - 440V	4
IS4P63	63A	230 - 440V	4
IS4P80	80A	230 - 440V	4
IS4P100	100A	230 - 440V	4
IS4P125	125A	230 - 440V	4
IS4P150	150A	230 - 440V	4

DIMENSIONS (mm)

Part Number	Height	Width	Depth	Depth inc. Handle	Gland Knockouts
IS4P20	125	100	85	120	M20/25
IS4P20L	175	115	100	135	M20/25
IS4P32	125	100	85	120	M20/25
IS4P32L	175	115	100	135	M20/25
IS4P40	175	115	100	135	M20/25
IS4P63	175	115	100	135	M20/25
IS4P80	240	160	120	165	M20/25/32
IS4P100	240	160	120	165	M20/25/32
IS4P125	240	160	120	165	M20/25/32
IS4P150	240	160	120	165	M20/25/32

GENERAL INFORMATION

Enclosure Material	Polycarbonate
Lid Screw Material	Stainless Steel
Ingress Protection	IP65 Enclosure / IP20 Body
Interlocked Handle	In ON Position
Approvals	CE, SEMKO
Compliance	IEC EN 60947-3, RoHS



Rear Knockouts
 A: 27.5mm on 175x115mm enclosure
 42mm on 240x160mm enclosure
 B: 25mm on 175x115mm enclosure
 42.0mm on 240x160mm enclosure

TECHNICAL SPECIFICATION

Part Number	IS4P20	IS4P20L	IS4P32	IS4P32L	IS4P40	IS4P63	IS4P80	IS4P100	IS4P125	IS4P150
Poles	4	4	4	4	4	4	4	4	4	4
Rated Operational Current I _b [AC21] [A]	20	20	32	32	40	63	80	100	125	150
Rated Power of 3Ph Motor at 415V [AC23A] [kW]	5.5	5.5	11	11	15	22	30	37	45	70
Rated Voltage [V]	415	415	415	415	415	415	415	415	415	415
Frequency [Hz]	50/60	50/60	50/60	50/60	50/60	50/60	50/60	50/60	50/60	50/60
Rated Insulation Voltage U _i [V]	690	690	690	690	690	690	690	690	690	690
Max. Cable Size [Solid/Stranded] [mm ²]	10	10	10	10	10	16	35	35	35	35
Rated Cond. Short Circuit Current [A]	20 I _b	20 I _b	20 I _b	20 I _b	20 I _b	20 I _b	20 I _b	20 I _b	20 I _b	20 I _b
Short Time Withstand Current 415V 1 sec. [A]	12 I _b	12 I _b	12 I _b	12 I _b	12 I _b	12 I _b	12 I _b	12 I _b	12 I _b	12 I _b
Rated Make/Break Capacity [A]	8 I _b	8 I _b	8 I _b	8 I _b	8 I _b	8 I _b	8 I _b	8 I _b	8 I _b	8 I _b
Protection Degree	IP65	IP65	IP65	IP65	IP65	IP65	IP65	IP65	IP65	IP65
Tightening Torque [Nm]	2	2	2	2	2	2	3	3	3	3
Mechanical Life [10 ³]	10	10	10	10	10	10	10	10	10	10
Weight [kg]	0.52	0.75	0.52	0.75	0.75	0.75	1.34	1.34	1.34	1.34

For more information, email sales@stag-electrical.com